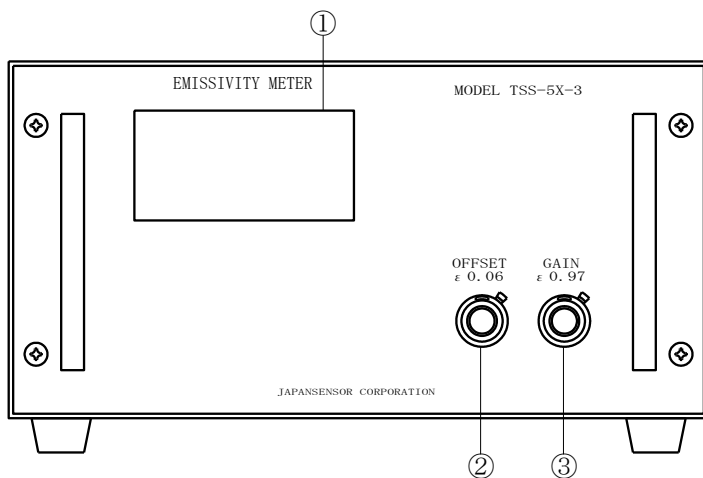


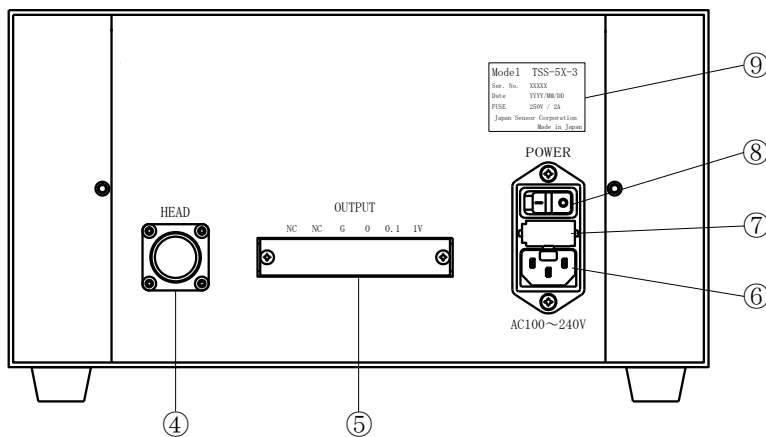
1. Name of each part

1) Measuring unit

Front

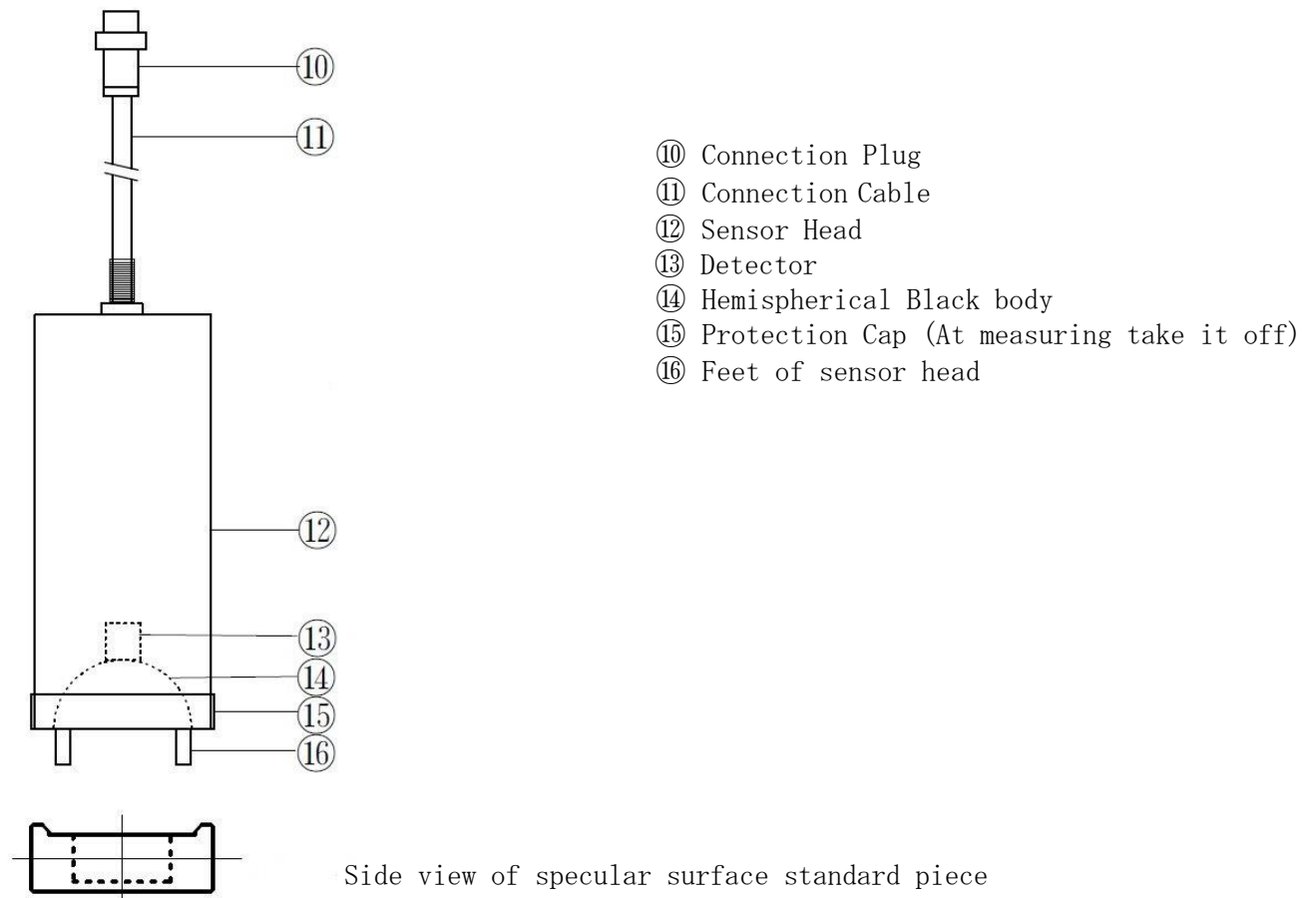


Rear

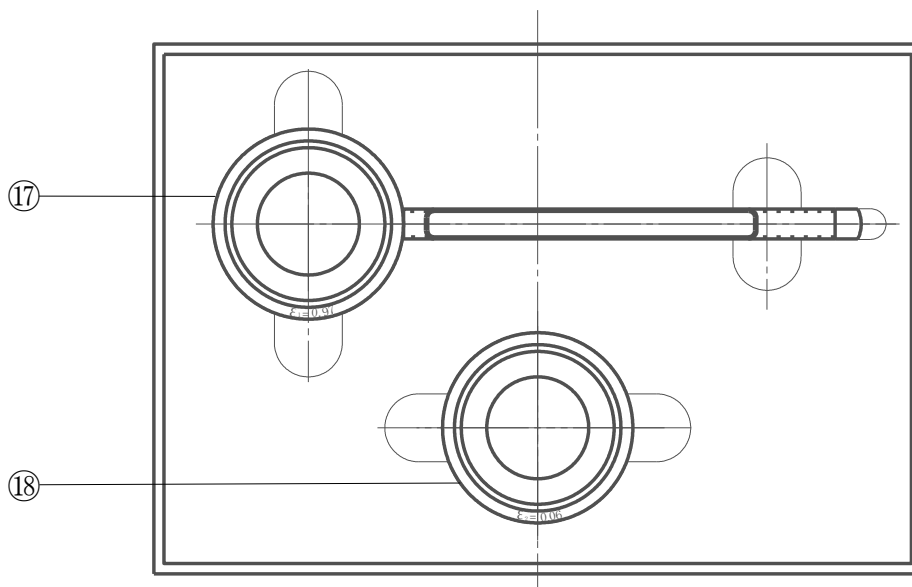


- ① Digital Meter
- ② Control Switch for offset (10T)
- ③ Control Switch for gain (10T)
- ④ Head Cable Connection
- ⑤ Output for Recorder
- ⑥ Power Supply Connection
- ⑦ Fuse
- ⑧ Power Switch
- ⑨ Name plate

2) Sensor Head



3) Emissivity standard piece



- ⑰ Black body standard piece ($\epsilon = 0.97$)
- ⑱ Specular surface standard piece ($\epsilon = 0.06$)