

N₂PSA O₂ Analyzer CG-SM



What's CG-SM

This is a small and light oxygen analyzer that has a detective element made of Zirconia electrolyte.

Features

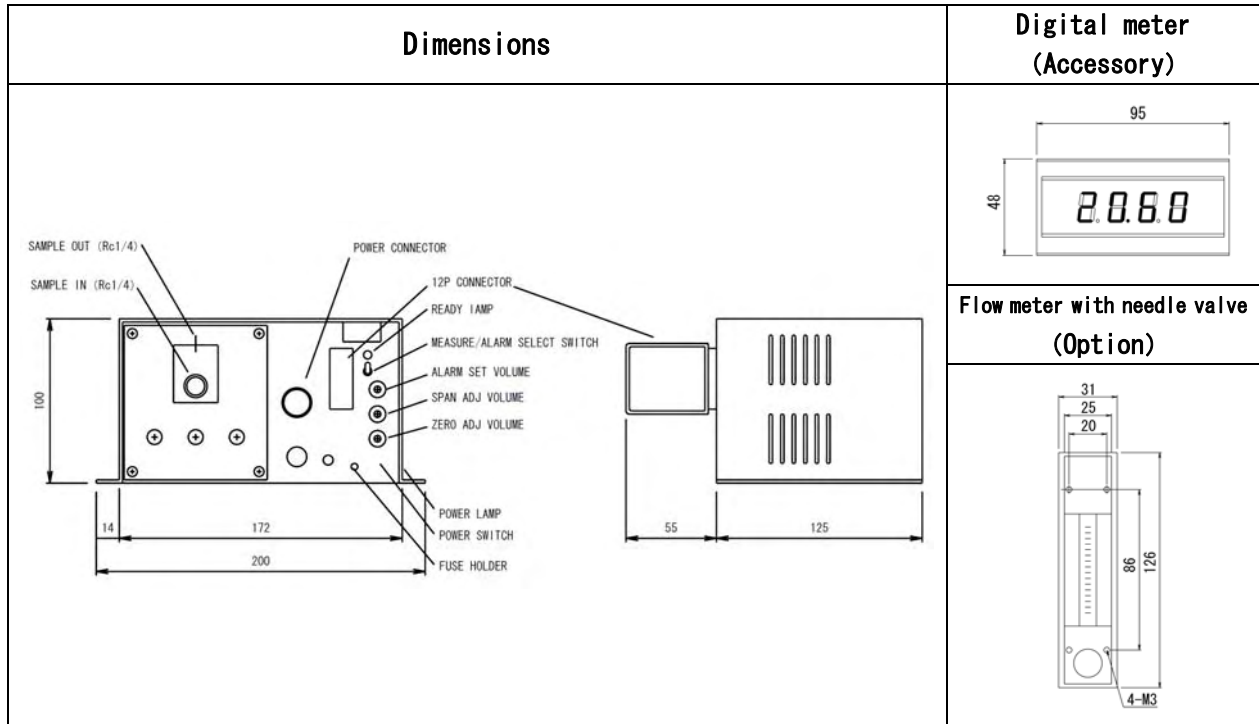
- ◎ Small amount sampling.
- ◎ Compact design.
- ◎ Simple structure, easy maintenance.

Specification

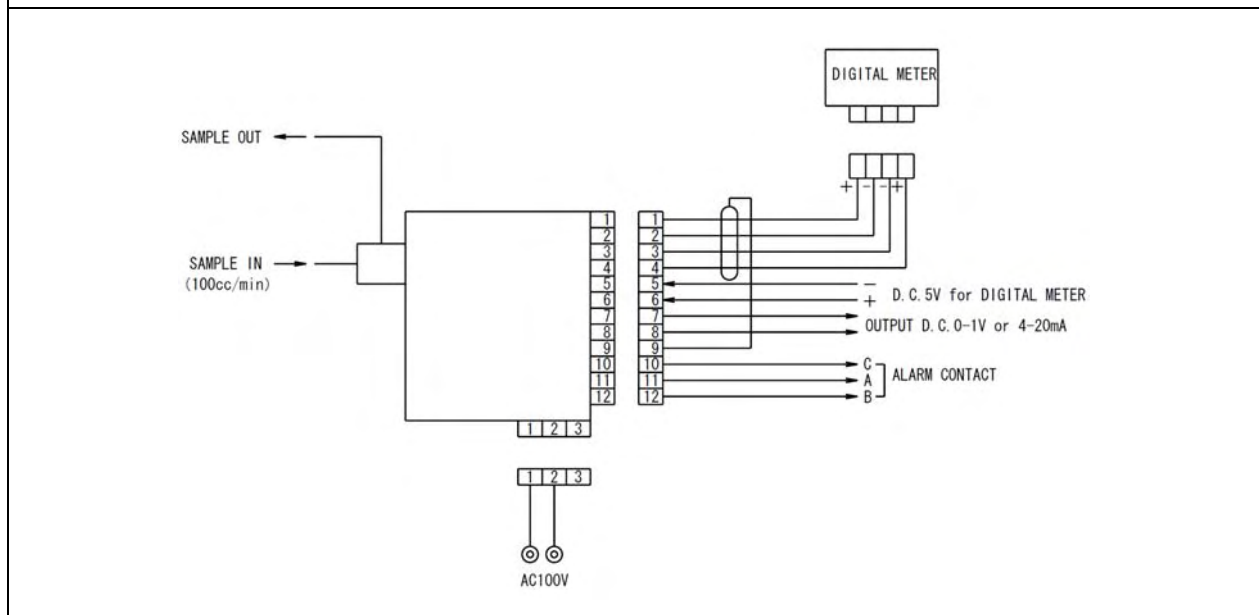
Installation	Indoor type, Plane・Wall type ※ Meter: Panel type
Measuring Range	10ppmO ₂ ~25%O ₂
Display	Digital 3 1/2 digit or 4 digit display
Range	1range : Decide in the above measuring range or display range. Min. range : 0-100ppmO ₂
Output	D.C. 0-1V or D.C. 4-20mA (Option)
Alarm	The high-alarm 1point C contact
Linearity	Less than ±1%FS
Responsibility	Less than ±1%FS
Response	90% reading in 10 sec. (Swinging to a high density side)
Drift	Less than ±2%FS/week
Sample Condition	Not include water, corrosive, halogen, combustible
Sample flow	100±10cc/min
Sampling	Introduce (positive pressure)
Sample pressure	0.01~0.05 MPa
Sample temperature	80°C MAX.
Piping	Inlet and Outlet Rc1/4
Warm-up	About 20 minutes
Power	Power : AC100±10V 50/60Hz 200VA MAX.
Using temp.	-5~45°C
Accessory	Panel meter, Power cord(3m)、Meter connection cord(3m)
Option	Flow meter with needle valve

※For the improvement, the specification and design may be changed without prior notice.

Dimensions & Flow Diagram



Flow sheet



TASHIKA CO., LTD

1-12, Kaiyo-cho, Ashiya, 659-0035, JAPAN

Tel: + 81-797-23-9035 Fax: + 81-797-23-2105

e-mail: sales@tashika.co.jp URL: www.tashika.co.jp