

Zirconia Sensing Oxygen Sensor WB—II V



What's WB—II V

Detective element is made of Zirconia electrolyte.

The mainly use of this sensor is for measurement of partial oxygen pressure in the vacuum atmosphere.

※The sensor works as oxygen analyzer together with the control unit.

Features

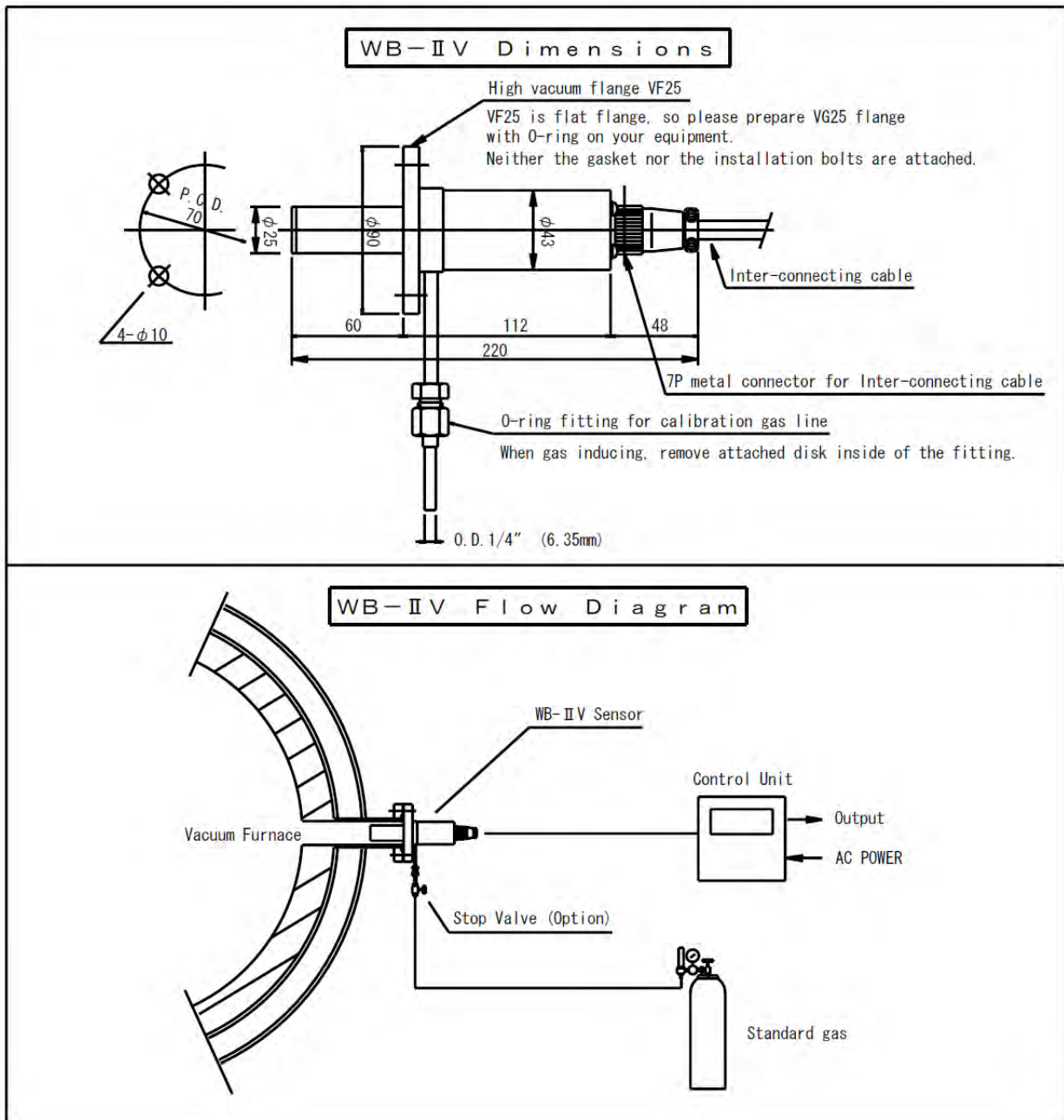
- ◎ Direct installation for sealed vessel or vacuum furnace.
- ◎ Measuring vacuum atmosphere under the pressure of 1×10^{-3} Pa (1×10^{-5} Torr) .
- ◎ Optional mounting flange is available.

Specifications

Installation	Vertical ~ Horizontal, VG25 vacuum flange (Customer preparation)
Calibration gas inlet	SUS TP O.D.1/4 (O-ring fitting)
Measuring range	1ppm~100%O ₂ $1 \sim 1 \times 10^{-30}$ atm O ₂
Linearity	Large one either of less than $\pm 1\%$ FS or ± 1 ppm
Repeatability	Large one either of less than $\pm 1\%$ FS or ± 1 ppm
Response	90% reading 10sec. (Swinging to a high density side)
Drift	Less than $\pm 2\%$ FS/wk
Sampling	Diffusion
Sample Temp.	300°C MAX
Sample pressure	2atm~ 1×10^{-3} Pa (1×10^{-5} Torr)
Warm up time	About 20 minutes
Option	Kind and size of flange, Standard gas line stop valve

※For the improvement, the specification and design may be changed without prior notice.

Dimensions & Flow Diagram



※ There is an explosion hazard if there was cell breakage when measuring the combustible gas atmosphere such as hydrogen under decompression etc.

TASHIKA CO., LTD.

1-12, Kaiyo-cho, Ashiya, 659-0035, JAPAN

Tel: + 81-797-23-9035 Fax: + 81-797-23-2105

e-mail: sales@tashika.co.jp URL: www.tashika.co.jp